

ELECTRONIC PLATFORM SCALE VPA



- Lightweight
- Easy to install and service – VPA scales have no wear or moving parts
- Improved protection against overload and dynamic loads
- The upper part of the load carrier is made from stainless steel
- Data communication interfaces RS-232/485

Application

Static weighing of raw materials and finished products ranging from a box of matches to a bag of flour. The maximum weighing capacity ranges from 5 to 500 kg.

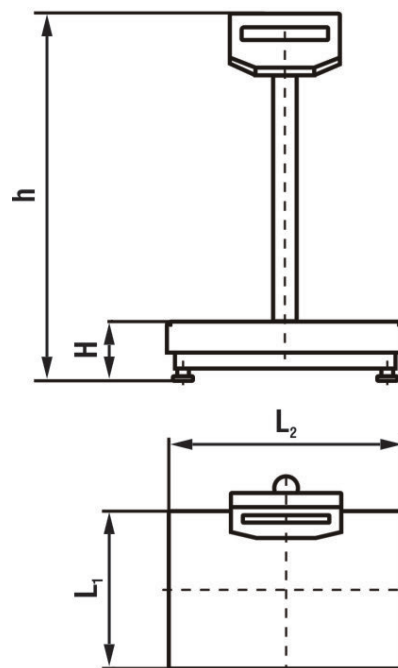
Product range

| Model | Max, kg | e = d*, kg | Dimensions L ₁ x L ₂ x H (x h), mm | Height**, mm |
|---------|---------|-------------|---|--------------|
| VPA-5 | 5 | 0.001 | 200 x 300 x 75 | – |
| VPA-10 | 10 | 0.002 | 200 x 300 x 75 | – |
| VPA-20 | 20 | 0.005 | 400 x 400 x 120 | 700 |
| VPA-20 | 20 | 0.005 | 400 x 600 x 120 | 700 |
| VPA-50 | 50 | 0.01 | 400 x 400 x 120 | 700 |
| VPA-50 | 50 | 0.01 | 400 x 600 x 120 | 700 |
| VPA-50 | 50 | 0.01 | 600 x 600 x 120 | 900 |
| VPA-100 | 100 | 0.02 | 400 x 400 x 120 | 700 |
| VPA-100 | 100 | 0.02 | 400 x 600 x 120 | 700 |
| VPA-100 | 100 | 0.02 | 600 x 600 x 120 | 900 |
| VPA-150 | 150 | 0.02 / 0.05 | 600 x 600 x 120 | 900 |
| VPA-200 | 200 | 0.05 | 600 x 800 x 180 | 900 |
| VPA-300 | 300 | 0.05 / 0.1 | 600 x 800 x 180 | 900 |
| VPA-500 | 500 | 0.1 | 600 x 800 x 180 | 900 |

* – verification scale interval and resolution of indication

** – scale height including the weighing indicator rack

Dimensions



To improve the performance, the product characteristics may be changed without prior notice.

ELECTRONIC PLATFORM SCALE **VPA**

Standard configuration

- VPA platform scale
- Rack for a weighing indicator
- Weighing indicator TV-003P
- Initial verification by the Russian Service of Legal Metrology

Options

- When the product is supplied without a weighing indicator, the cable connecting the platform with the indicator will be protected with a metal hose
- Accounting software

Specifications

| | |
|---|---------------|
| Accuracy class according to GOST OIML R76-1-2011 | average |
| Accuracy class according to OIML R 76 | III |
| Operating temperature range, °C | -10... +40 |
| Tare weight compensation range (without reducing Max), % of Max | 0... 10 |
| Tare weight selection range, % of Max | 0... 100 |
| Threshold sensitivity, in verification scale interval units (e) | 1.4 |
| Power supply | 220 V / 50 Hz |
| Required power, W | not more 20 |
| Average life time according to GOST OIML R76-1-2011, years | at least 10 |
| Warranty period, months | 12 |

Regulation Compliance

- The products are manufactured according to GOST OIML R76-1-2011, international guidelines OIML R 76 and specification TU 4274-082-18217119-01
- The products are registered in the Russian State Register of Measuring Instruments with № 21439-11